

Autodesk®
Inventor LT™

Easy as 1, 2, 3D.



Autodesk®

Model Your Part Designs in 3D

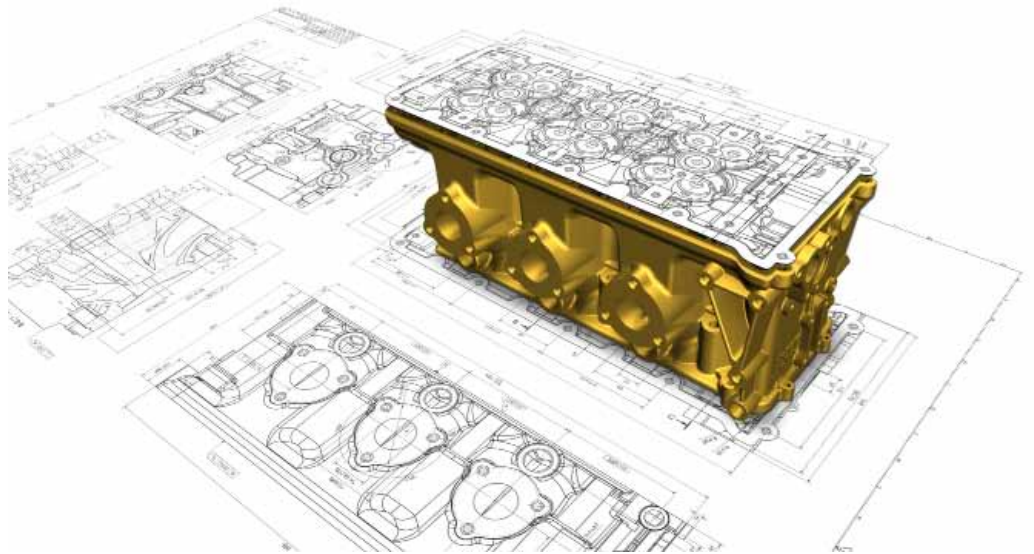
With parametric 3D solid part modeling in Autodesk® Inventor LT™ software, you can model your part designs in 3D instead of simply drawing them in 2D.

Facing these issues?

- Need to communicate in 2D and 3D with customers and suppliers
- Too many design errors and lengthy design cycle times
- Need to rapidly create production ready 2D drawings
- Don't have adequate design power for complex part design
- Want to add the benefits of 3D without losing existing 2D design data
- Worried about making the right choice for current and future software needs

Learn how the AutoCAD Inventor LT Suite offers a cost-effective and practical way to introduce 3D mechanical design into your AutoCAD workflow—at the pace that's right for you.

www.autodesk.com/inventorlt



3D models enable you to visualize, validate, and improve your design concepts to make good design decisions before you spend time, money, and effort on physical prototypes, tooling, and manufacturing. This helps you reduce the amount of rework and bring higher quality products to market faster and more profitably.

And since Inventor LT software uses the exact same part file format as the full version of Autodesk Inventor software, you can enter the world of 3D with Inventor LT knowing you have a scalable path to the benefits of Digital Prototyping if your design and business challenges ever call for a higher level of software capability.

Autodesk Inventor LT is also sold as part of the AutoCAD® Inventor LT™ Suite, which includes AutoCAD LT® software. By turning to Inventor LT, you get many of the capabilities found in Autodesk® Inventor® software, including part-level 3D modeling, multi-CAD translation, and automated DWG™ drawing views. Interoperability with AutoCAD LT lets you continue to work with real DWG data.

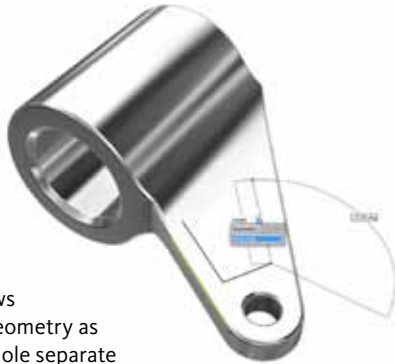
3D Part Modeling

With Inventor LT software, you can easily visualize even the most complex of part designs, eliminating the guesswork of interpreting 2D drawings.

Sketching

Evaluate design ideas as versatile 2D layouts before you create detailed part models. With Inventor LT, you use 2D sketching tools that include parametric capabilities to modify sketches. As you try different concepts, clearly convey your ideas by controlling color and line style.

Dynamic input in the Sketch environment provides a heads-up display (HUD) to help you keep your focus in the sketching area. When dynamic input is on, value input fields near the cursor display information that is dynamically updated as the cursor moves. The HUD allows you to create dimensioned geometry as you sketch—eliminating a whole separate dimensioning step from the sketch workflow. Dynamic input in the Sketch environment helps engineers to sketch more freely and directly, without interruptions to the creative process.



3D Modeling

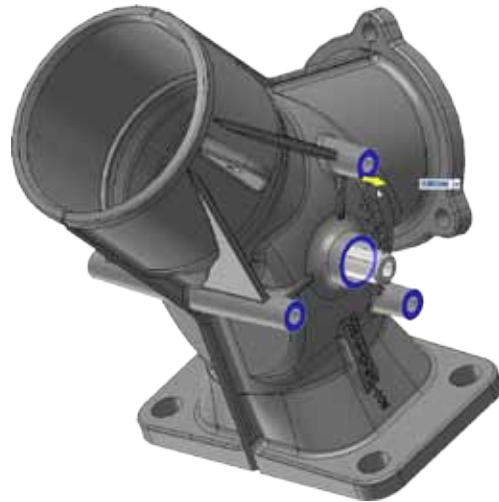
Allows you to extrude, revolve, or sweep your 2D sketches into 3D models. Add holes, fillets, chamfers, patterns, and more to complete your 3D part designs. Advanced shape description and surfacing tools include Loft to a Point, N-Sided Patch, Sweep Normal to Surface, Centerline Loft, G2 Continuous Fillets, Full Round Fillets, Face-to-Face Fillets, and many more complex part modeling capabilities.



Direct Manipulation Part Modeling

Inventor LT employs the principles of direct manipulation to make fundamental improvements to the mechanical design process. Direct manipulation offers an uninterrupted workflow that not only helps to accelerate design, but also fosters greater creativity.

With direct manipulation, all of the input needed for a command (radius, angle, dimensions, and so on) can be controlled right at the point where you are directly affecting geometry. By optimizing the command interaction, direct manipulation allows you to focus on your design, rather than the software. With fewer distracting dialog boxes and less mouse travel, you can enjoy a faster, more intuitive design experience.



iParts

Save time by using one basic design to define and document entire part families. With table-driven part configurations—iParts—you define part variables in a spreadsheet to configure part families.

Physical Properties

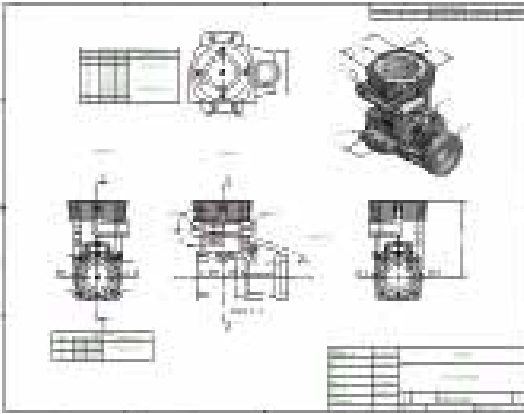
Make better decisions by automatically calculating real-world properties during the design process. With Inventor LT software, your 3D part models carry physical property detail, such as center of gravity, material type, density, color, and texture.

Automated Drawings

Use Autodesk Inventor LT software to deliver accurate, standards-compliant manufacturing drawings faster than ever before.

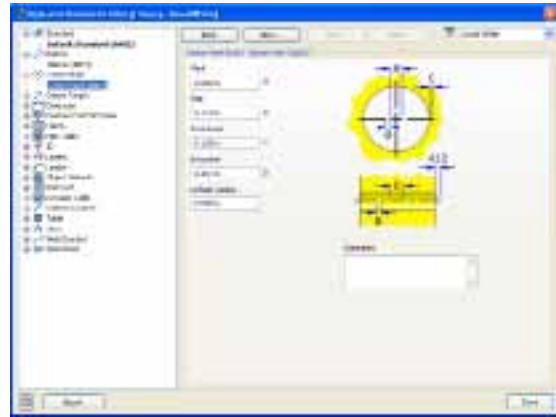
Automatic Drawing Views

Create drawings dramatically faster by calling out specific drawing views, including front, side, ISO, detail, section, and auxiliary views. Inventor LT projects the geometry for you. Timesaving options include: automatic retrieval of dimension data from the 3D model; automatic arrangement of dimensions; and a robust palette of dimension, annotation, and 2D symbols for faster, more flexible completion of the drawing set.



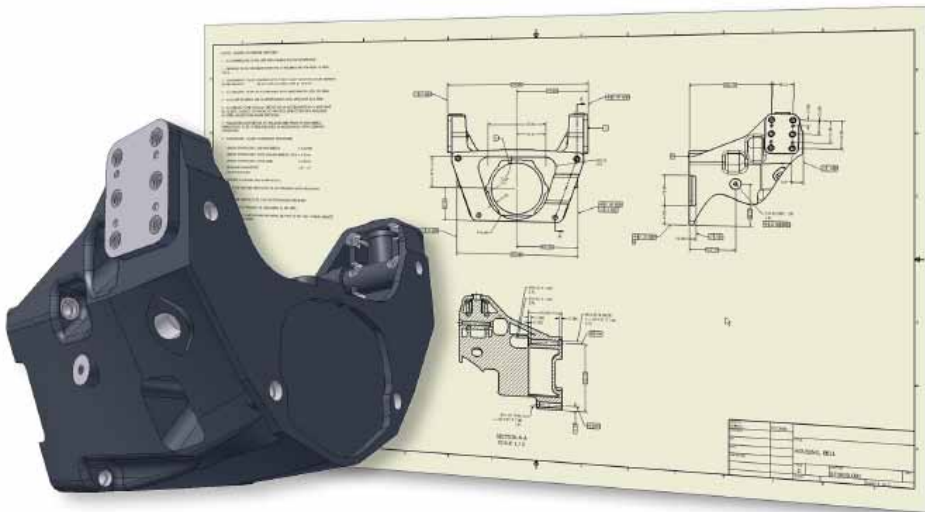
Standards and Styles

Make your drawings automatically comply with industry and corporate standards and formatting styles. The Drawing Manager tool supports international technical drawing standards, including GB, JIS, BSI, ISO, DIN, ANSI, and ESKD. You can easily define, store, and apply a common set of styles or preferred formatting characteristics.



Automatic Drawing Updates

Gain speed, reduce errors, and help eliminate the need for manual updates when something changes. Inventor LT associates drawing views with the original components, so any change to a part model is automatically reflected in the drawing.



Design Communication and Multi-CAD Collaboration

Use Inventor LT software to accurately exchange data between common CAD file formats used by you and others, improving your communication and collaboration with suppliers, stakeholders, and customers.

Native Translators

Streamline projects that require sending or receiving files from vendors or customers in native formats. Exchange part-level data between Inventor LT software and CATIA® V5, NX™, SolidWorks®, and Pro/ENGINEER® systems. Inventor LT supports direct import and export of CATIA V5, Parasolid®, GRANITE®, and SAT part files. You can also open, import, place, or drag and drop CATIA V4, CRG, NX™, SolidWorks®, and Pro/E® part files.



STEP/IGES

Meet supplier and customer needs by sharing and reusing 3D design data between common 3D CAD and CAM systems. With Inventor LT, you can read and write part-level design and drawing data using industry-standard formats while maintaining data accuracy.



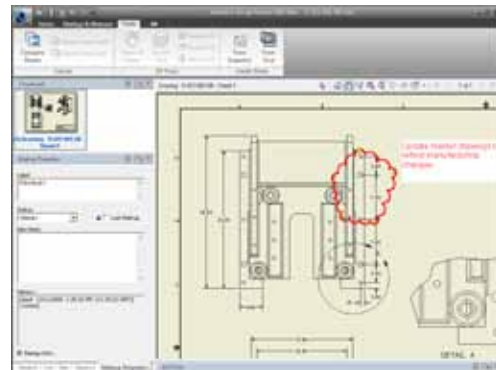
BIM Exchange

Enhance service to your customers by providing 3D models ready for use in their building designs. The Building Information Modeling (BIM) Exchange tool creates and publishes simplified 3D representations, intelligent connection points, and additional information in the new ADSK (Autodesk Exchange File) format for use with AutoCAD® MEP, AutoCAD® Architecture, and Revit® software.



DWF Publishing and Design Review

Increase design review efficiency and streamline collaboration between your organization, suppliers, and customers. Securely publish and share detail-rich DWF™ files that can contain both 2D and 3D designs. Reviewers can easily view and mark up the files. Then overlay DWF markups directly onto your Inventor LT designs to quickly apply requested changes to the 3D model.



Even More Publishing Formats

Share product information with partners and customers who need to include your designs in their projects. Publish Inventor LT drawings as PDF files and 3D part models in SAT or JT formats. You can also create stereolithography (STL) files for output to 3D printing machines.

Design Visualization

Inventor LT software provides state-of-the-art visualization capabilities to provide stunning representations of designs to improve design communication with partners in the design process.

Realistic Rendering at All Times

With high-quality shading, lighting, and material properties in the default work environment, Inventor LT helps you better conceptualize designs with the ability to view a realistic representation of your design at all times.



Preset Visual Styles

Inventor LT helps to evaluate and share designs by allowing engineers to optimize the display style of their 3D models to suit the particular task. In addition to the default rendering mode, Inventor LT provides one-button access to a variety of preset visual representations of your designs, including wireframe, shaded surfaces, hidden line removal, photorealistic, and illustration modes.

High-Quality Visual Materials

The extensive library of visual materials in Inventor LT enables users to display accurate and stunning representations of their products. High-resolution textures for downstream rendering means that designers can share higher quality images with management and customers.



Visual Fidelity across Products

Visual and material designations made in Inventor LT will carry forward to other Autodesk applications. In particular, lighting and material selections made in Inventor LT will transfer seamlessly to Autodesk® Showcase® and Autodesk® 3ds Max® Design for further development of marketing imagery. Visual fidelity will also be maintained when transferring Inventor data to Autodesk building design products, including Revit and AutoCAD products.



Image created in Autodesk Inventor software



Image created in Autodesk Showcase software

Digital Prototyping for the Manufacturing Market

Autodesk is a world-leading supplier of engineering software, providing companies with tools to experience their ideas before they are real. By putting powerful Digital Prototyping technology within the reach of mainstream manufacturers, Autodesk is changing the way manufacturers think about their design processes and is helping them create more productive workflows. The Autodesk approach to Digital Prototyping is unique in that it is scalable, attainable, and cost-effective, which allows a broader group of manufacturers to realize the benefits with minimal disruption to existing workflows, and provides a straightforward path to creating and maintaining a single digital model in a multidisciplinary engineering environment.

Learn More or Purchase

Access specialists worldwide who can provide product expertise, a deep understanding of your industry, and value that extends beyond your software. To license Autodesk® Inventor LT™ software contact an Autodesk Premier Solutions Provider or Autodesk Authorized Reseller. Locate a reseller near you at www.autodesk.com/reseller.

Autodesk Learning and Education

From instructor-led or self-paced classes to online training or education resources, Autodesk offers learning solutions to fit your needs. Get expert guidance at an Autodesk Authorized Training Center (ATC®) site, access learning tools online or at your local bookstore, and validate your experience with Autodesk certifications. Learn more at www.autodesk.com/learning.

Autodesk Services and Support

Help accelerate return on investment and optimize productivity with companion products, consulting services, and support from Autodesk and Autodesk authorized partners. Designed to get you up to speed and keep you ahead of the competition, these tools help you make the most of your software—no matter what industry you are in. Learn more at www.autodesk.com/servicesandsupport.

Autodesk Subscription

Autodesk® Subscription gives you immediate access to software upgrades and exclusive access to service and support benefits designed to help you get the most out of your Autodesk software. Learn more at www.autodesk.com/subscription.

Image courtesy of ADEPT Airmotive (Pty) Ltd.

Autodesk, AutoCAD, 3ds Max, AutoCAD LT, Autodesk Inventor, DWF, DWG, Inventor, Inventor LT, Revit, Showcase are registered trademarks or trademarks of Autodesk, Inc., and/or its subsidiaries and/or affiliates in the USA and/or other countries. All other brand names, product names, or trademarks belong to their respective holders. Autodesk reserves the right to alter product and services offerings, and specifications and pricing at any time without notice, and is not responsible for typographical or graphical errors that may appear in this document. © 2011 Autodesk, Inc. All rights reserved.